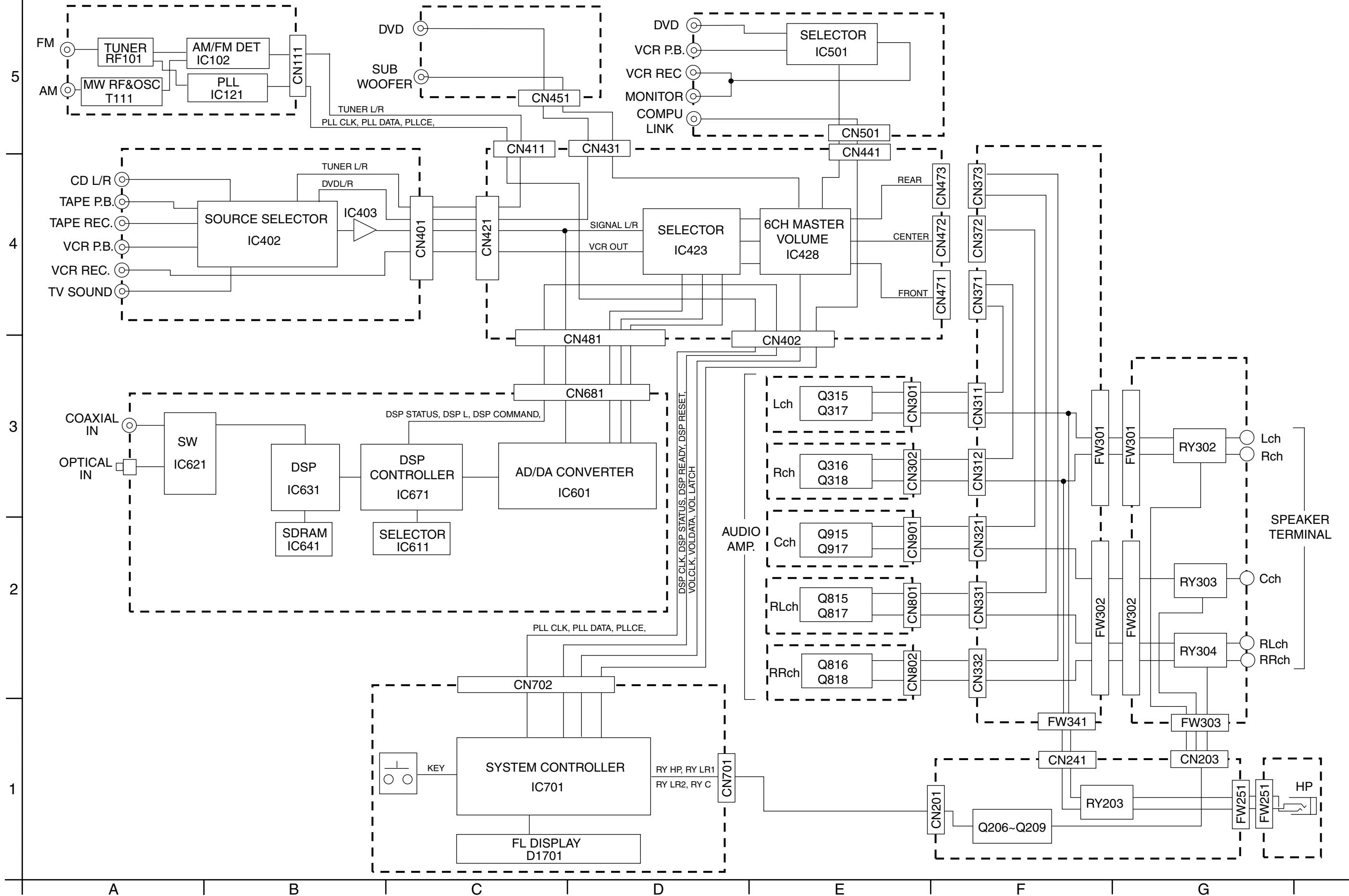


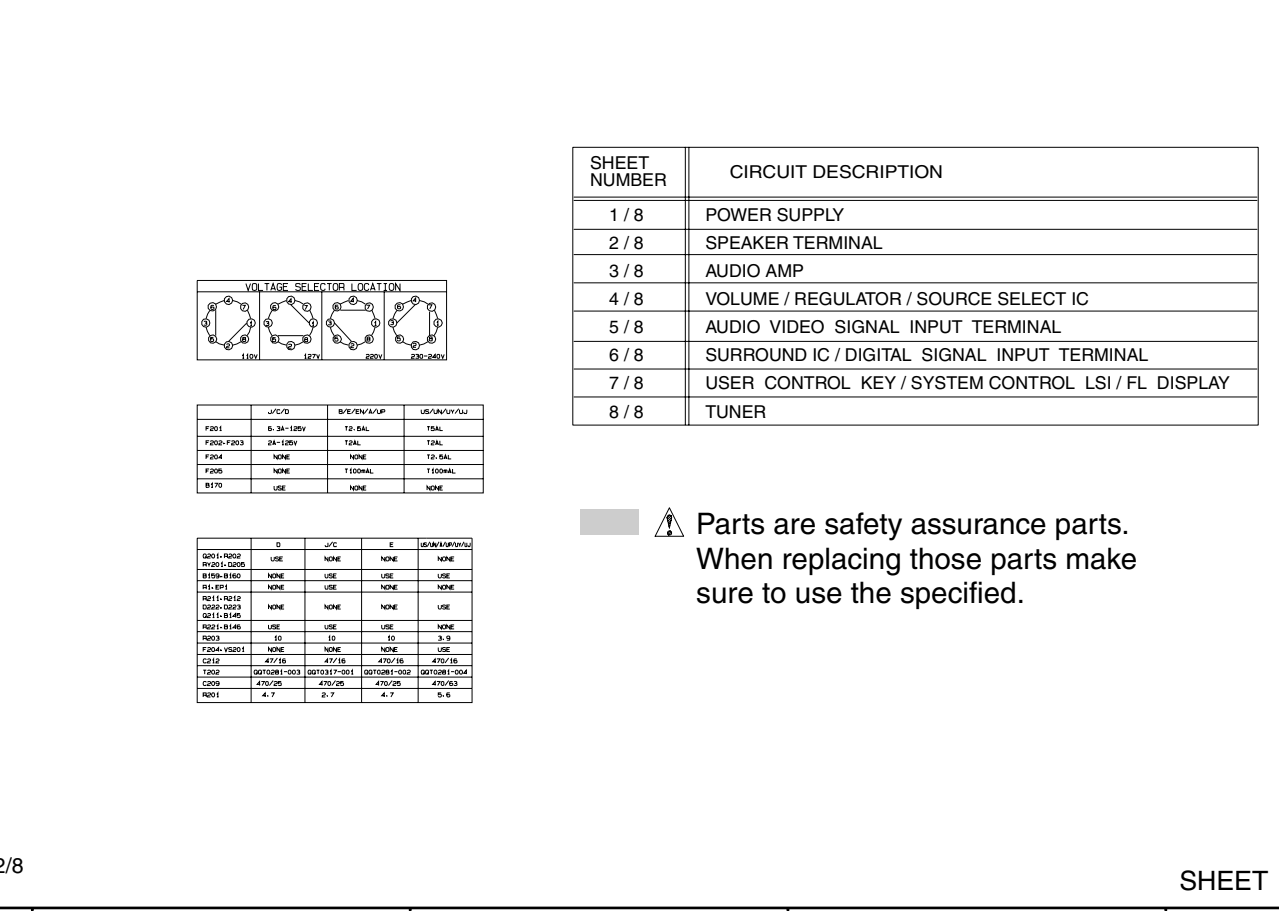
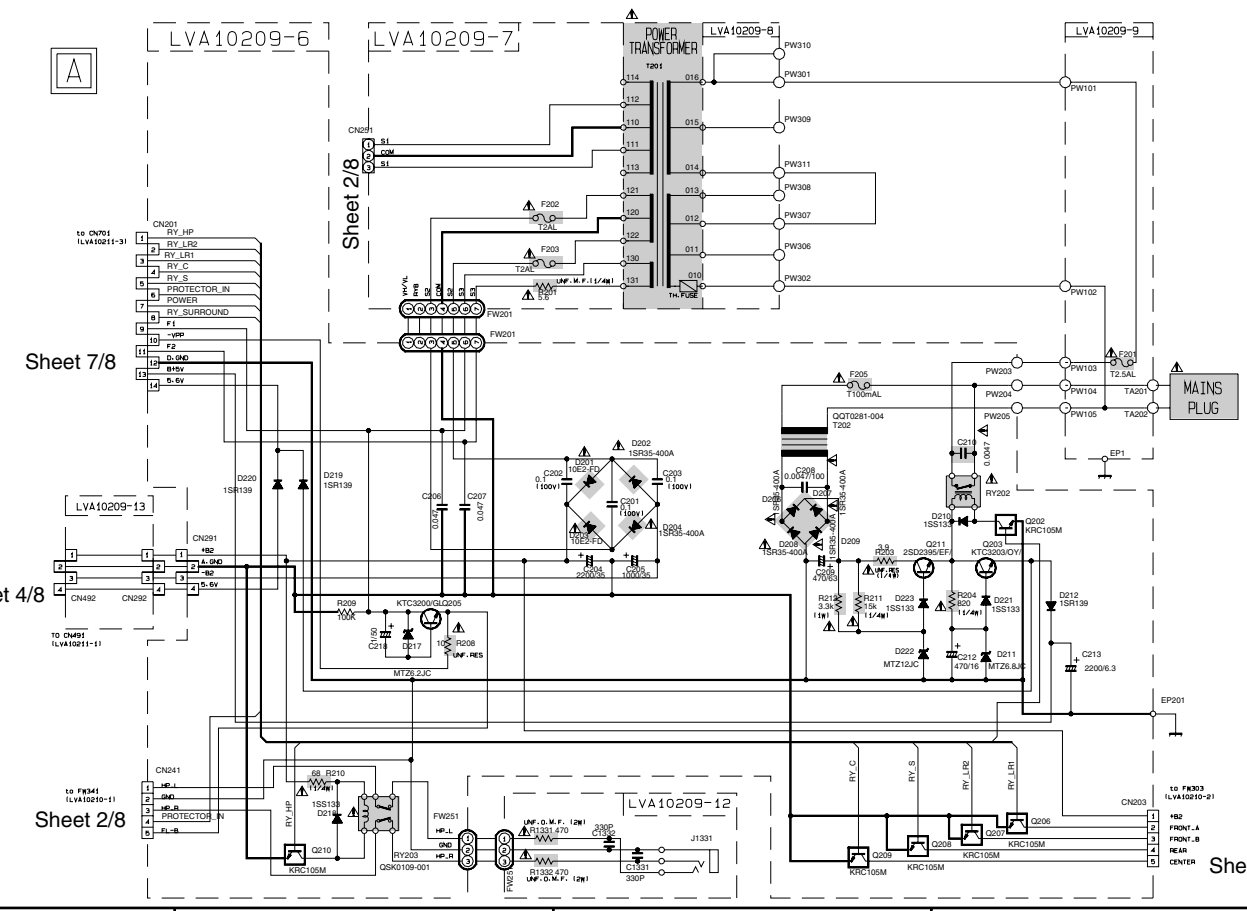
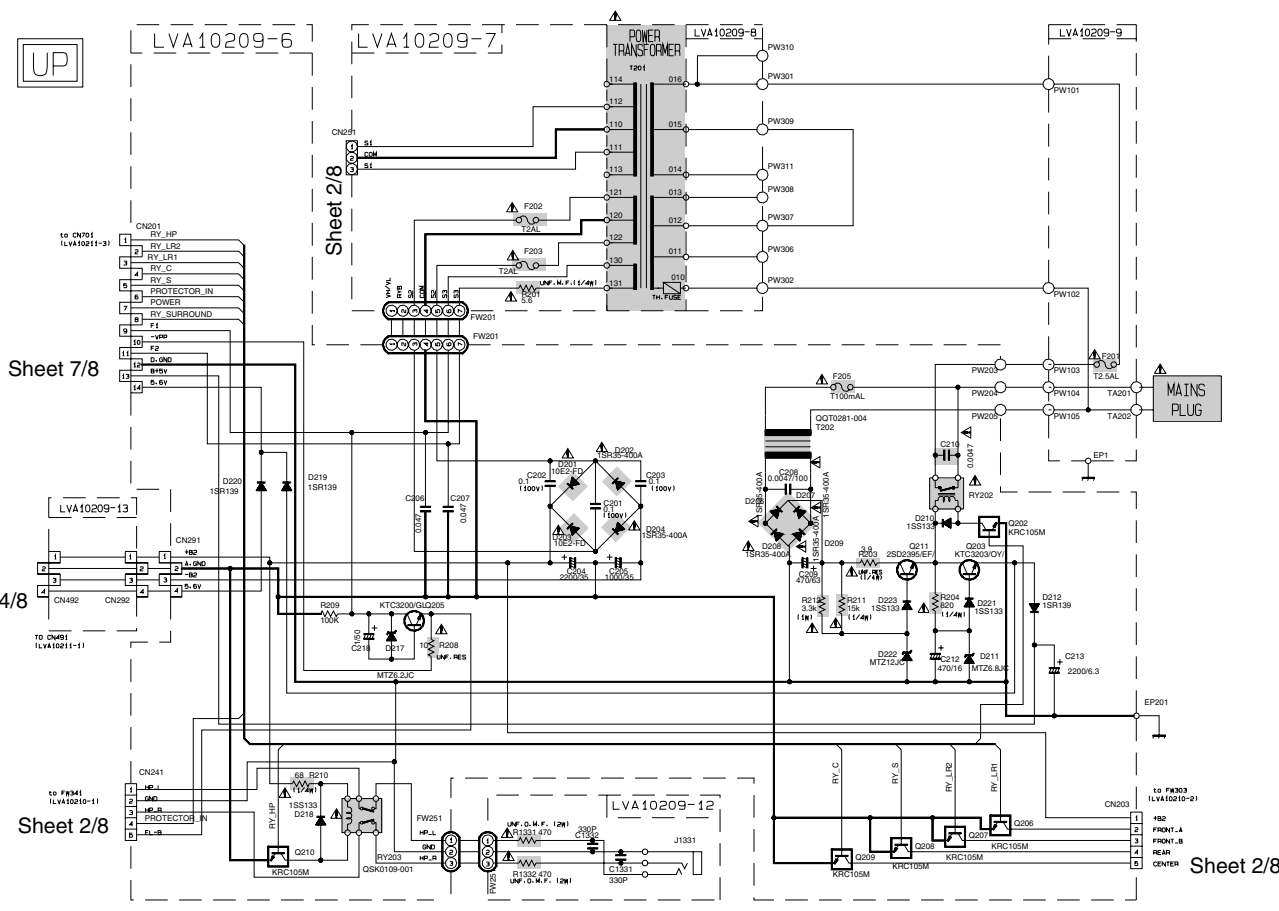
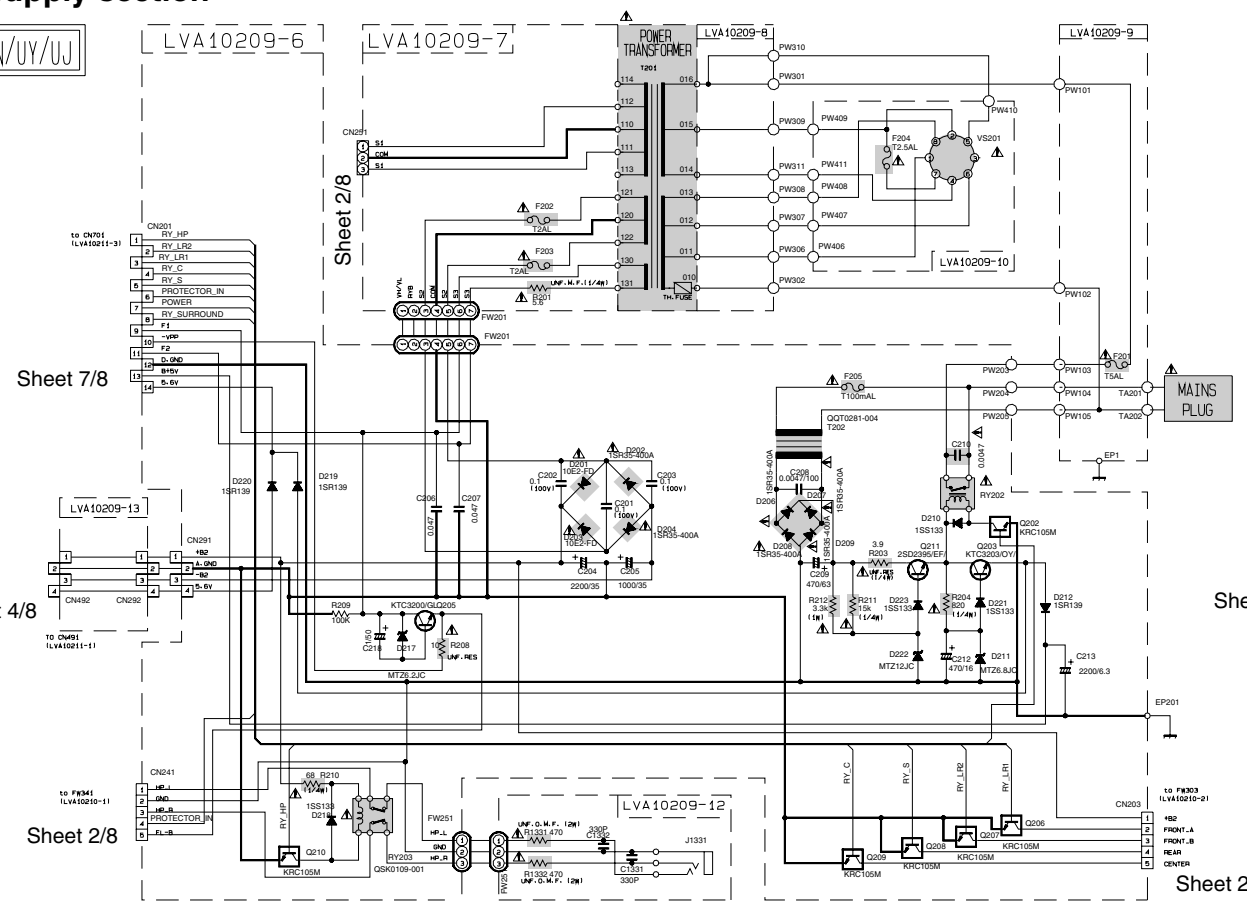
Block diagram



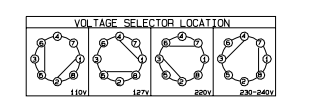
Standard schematic diagrams

Power supply section

US/UN/UY/UJ



SHEET NUMBER	CIRCUIT DESCRIPTION
1 / 8	POWER SUPPLY
2 / 8	SPEAKER TERMINAL
3 / 8	AUDIO AMP
4 / 8	VOLUME / REGULATOR / SOURCE SELECT IC
5 / 8	AUDIO VIDEO SIGNAL INPUT TERMINAL
6 / 8	SURROUND IC / DIGITAL SIGNAL INPUT TERMINAL
7 / 8	USER CONTROL KEY / SYSTEM CONTROL LSI / FL DISPLAY
8 / 8	TUNER

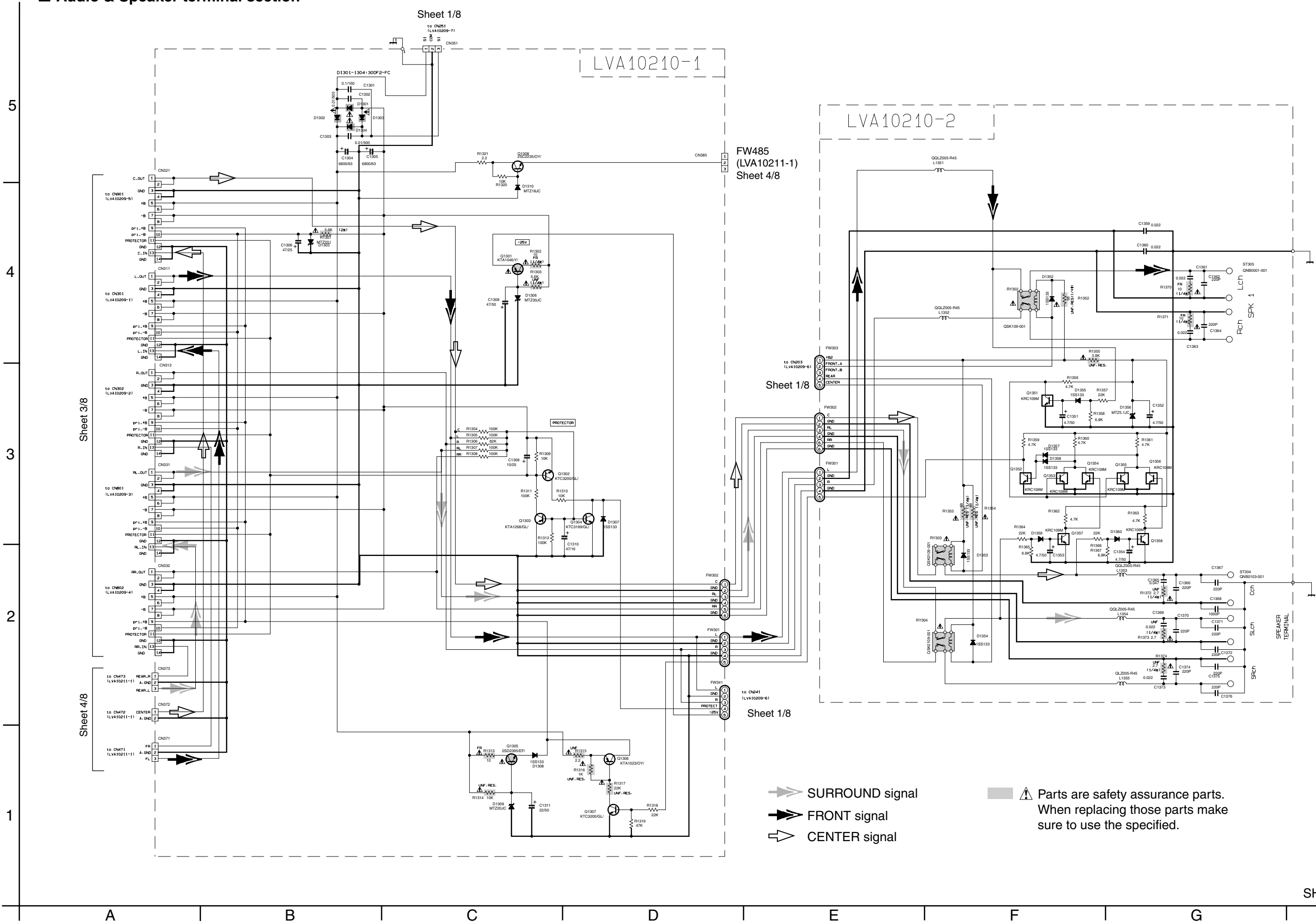


FUSE	J/C/D	B/E/EN/L/UP	US/UN/UY/UJ
F201	6.3A-125V	T2-BAL	T5AL
F202-F203	2A-125V	T2AL	T2AL
F204	NONE	NONE	T2-BAL
F205	NONE	1100uAL	1100uAL
R170	USE	NONE	NONE

D	J/C	E	US/UN/UY/UJ
D01-L, R002	USE	NONE	NONE
D001-L, R000	USE	USE	USE
B155-B160	NONE	USE	USE
R11-EP1	NONE	USE	NONE
R11-L, R12	NONE	NONE	USE
D004, D003	NONE	NONE	USE
D01-L, R10	USE	USE	NONE
R003	10	10	10
T204-VS01	NONE	NONE	USE
C212	47/16	47/16	47/16
T202	00T0281-003	00T0317-001	00T0281-002
D009	470/25	470/25	470/25
R001	4.7	4.7	4.7

Parts are safety assurance parts. When replacing those parts make sure to use the specified.

Audio & Speaker terminal section



Audio amplifier section

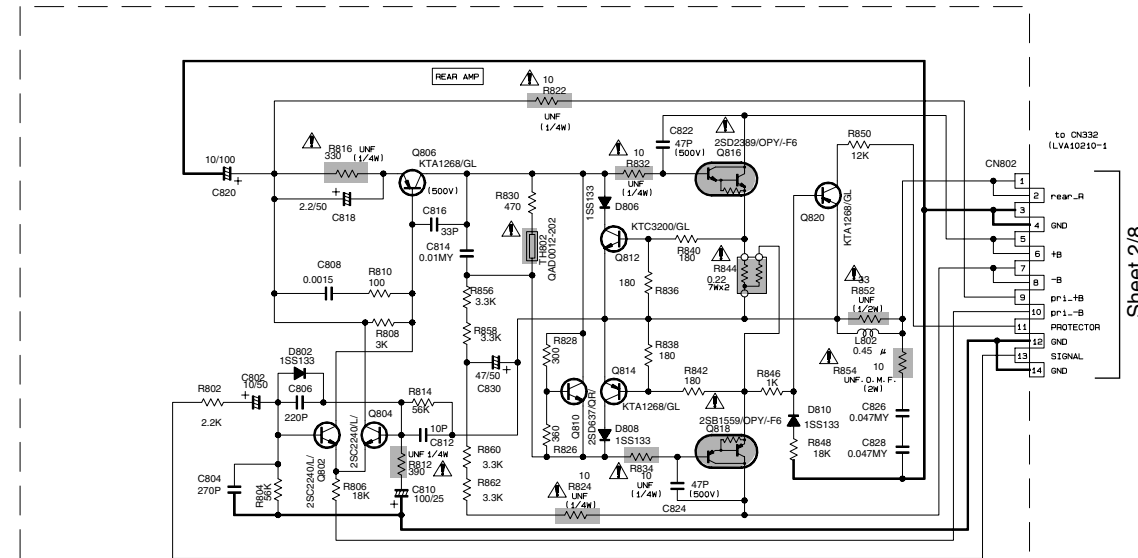
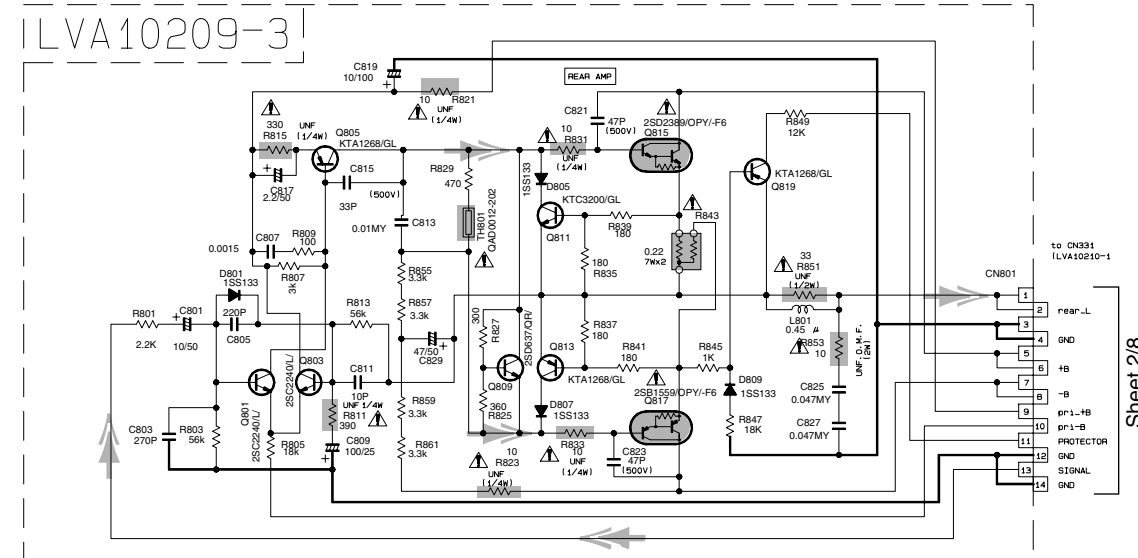
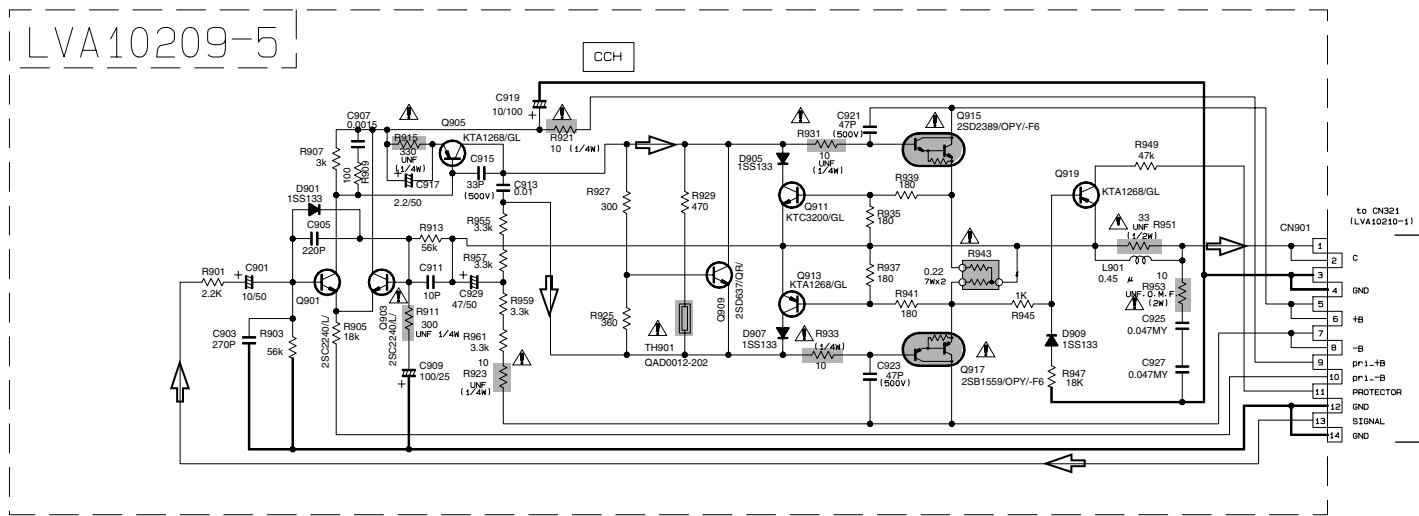
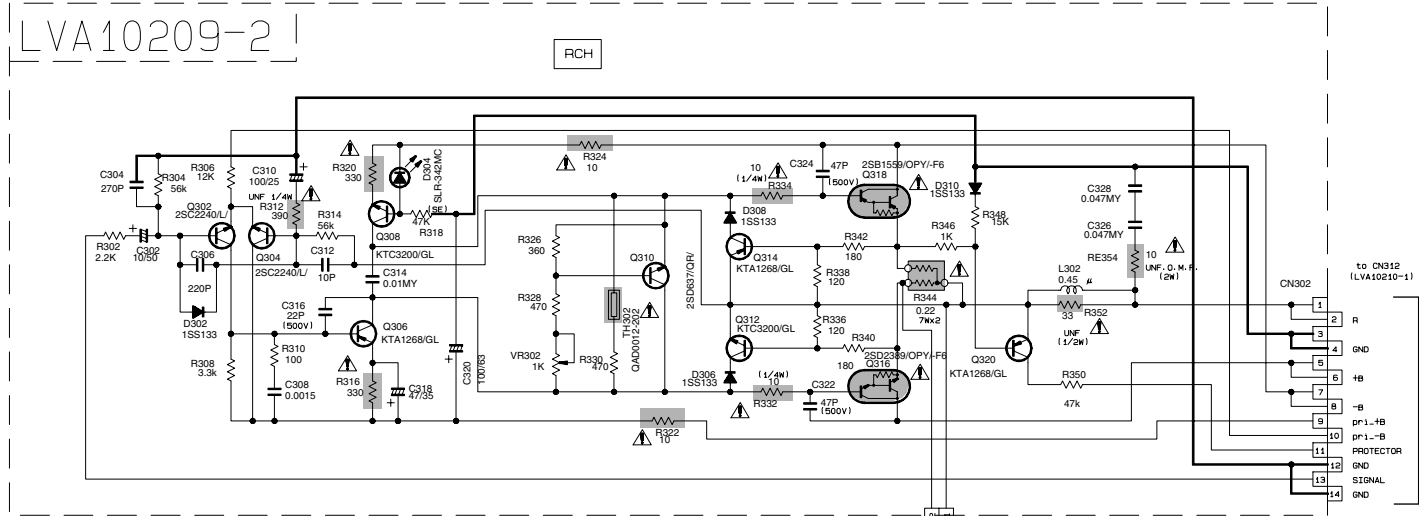
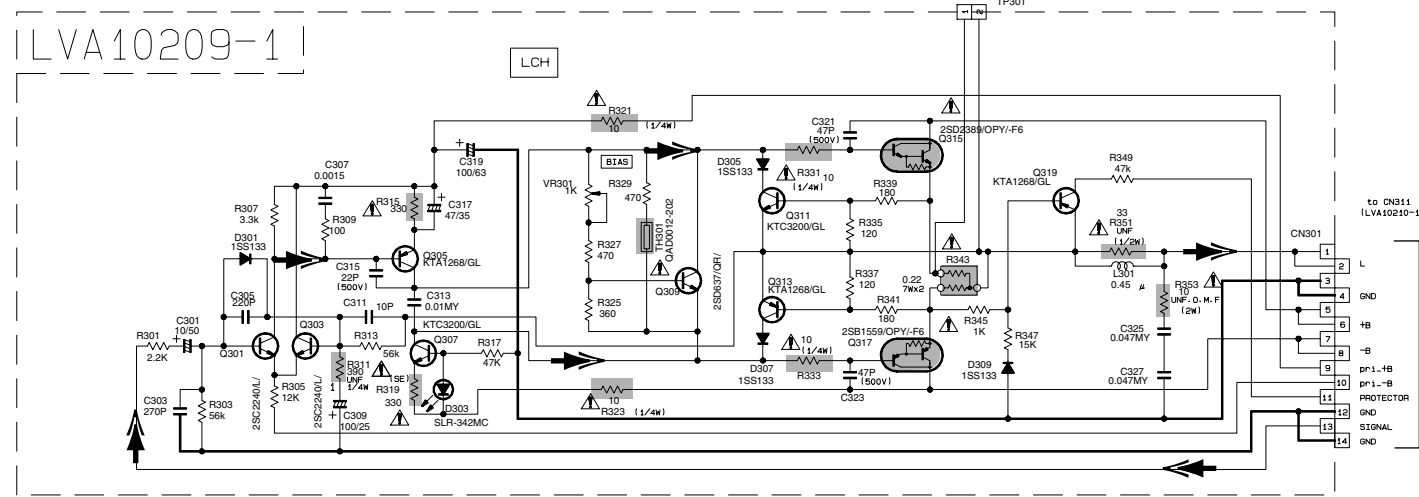
5

4

3

2

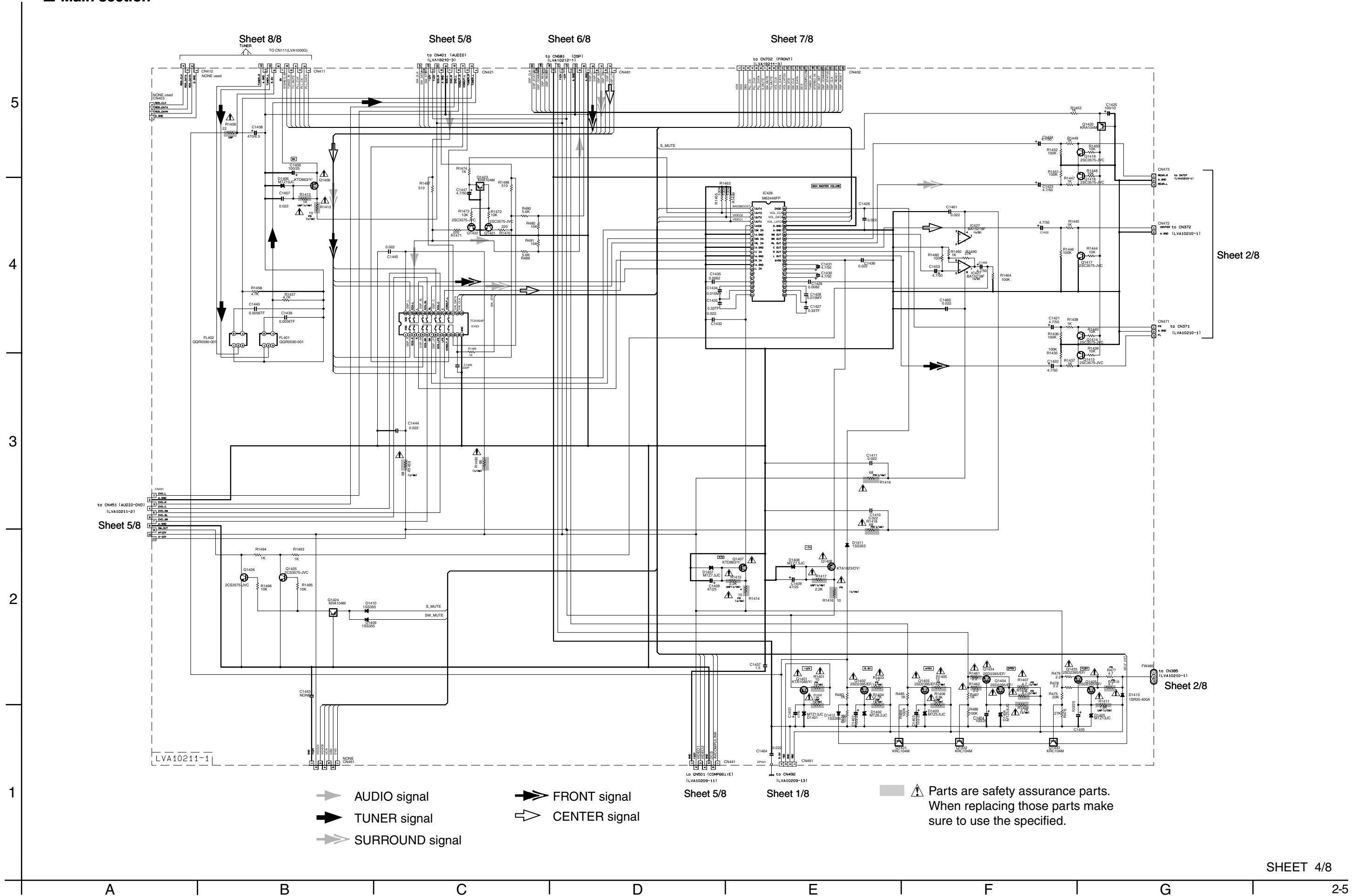
1



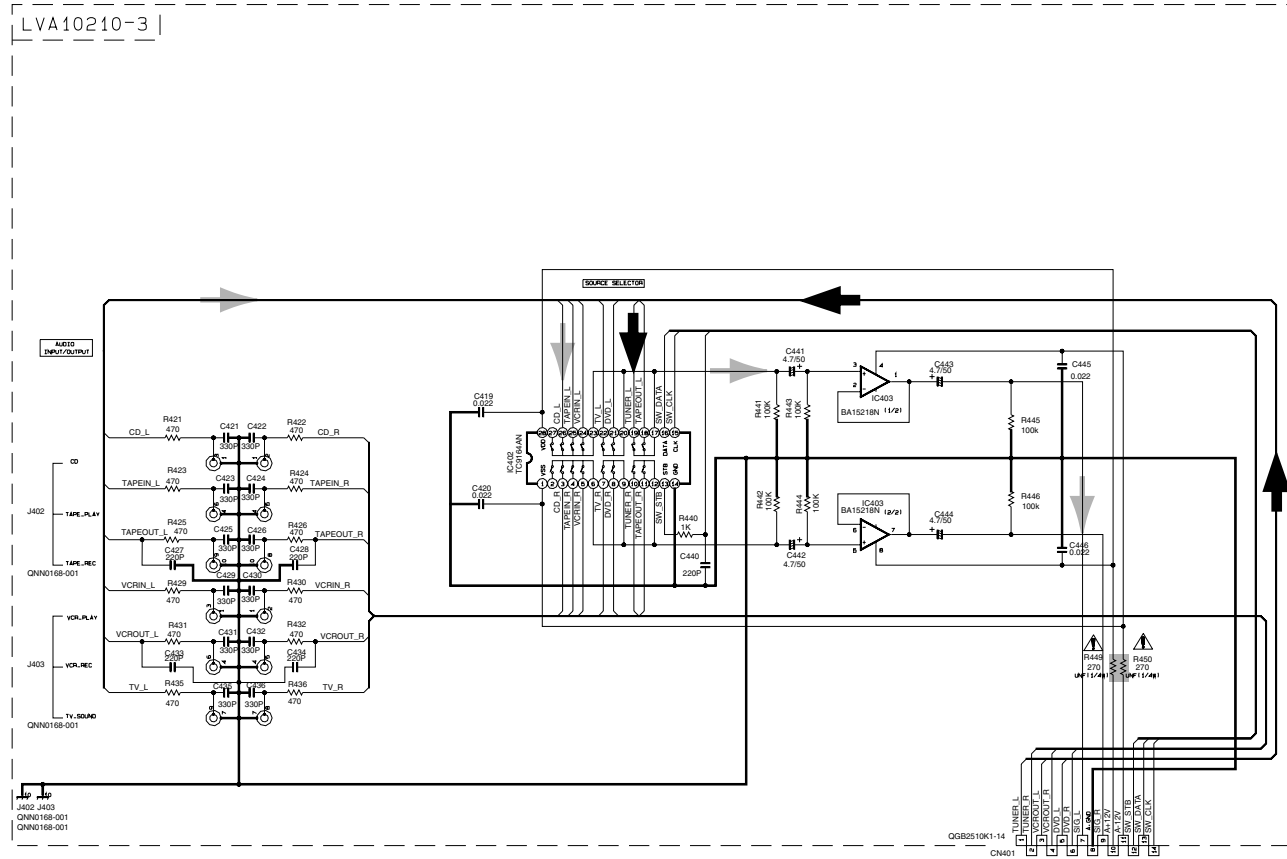
- ➔ SURROUND signal
- ➔ FRONT signal
- ➔ CENTER signal

⚠ Parts are safety assurance parts. When replacing those parts make sure to use the specified.

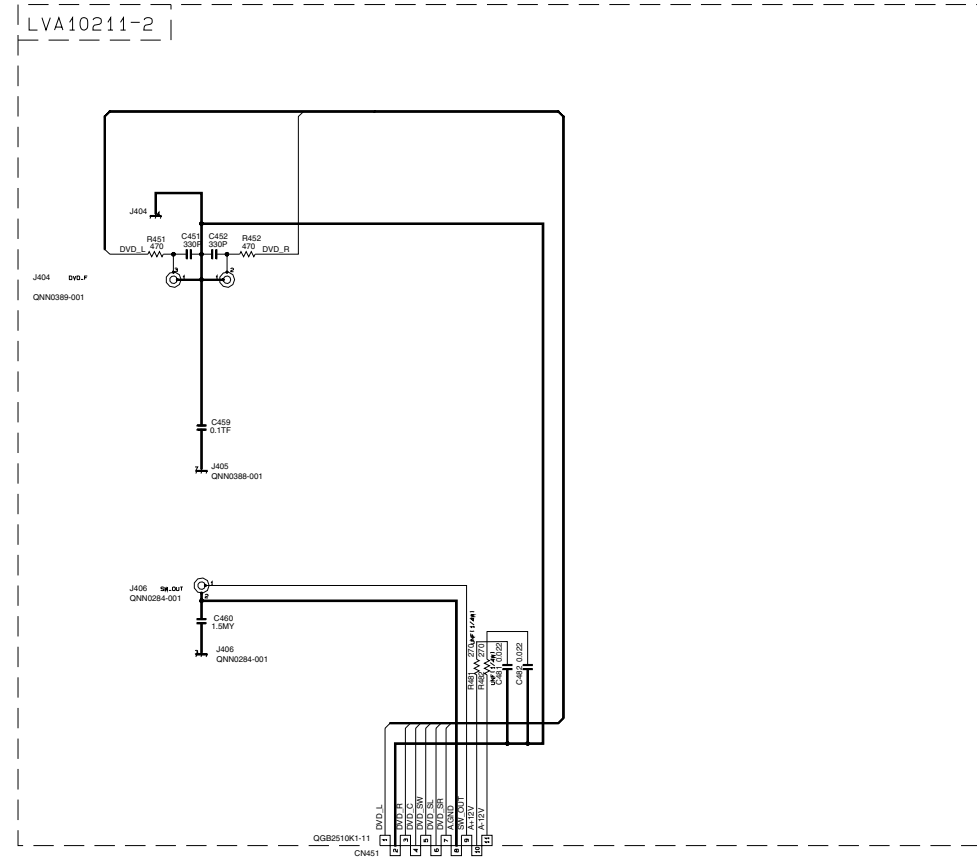
■ Main section



■ Audio / Video / DVD signal input section



Sheet 4/8

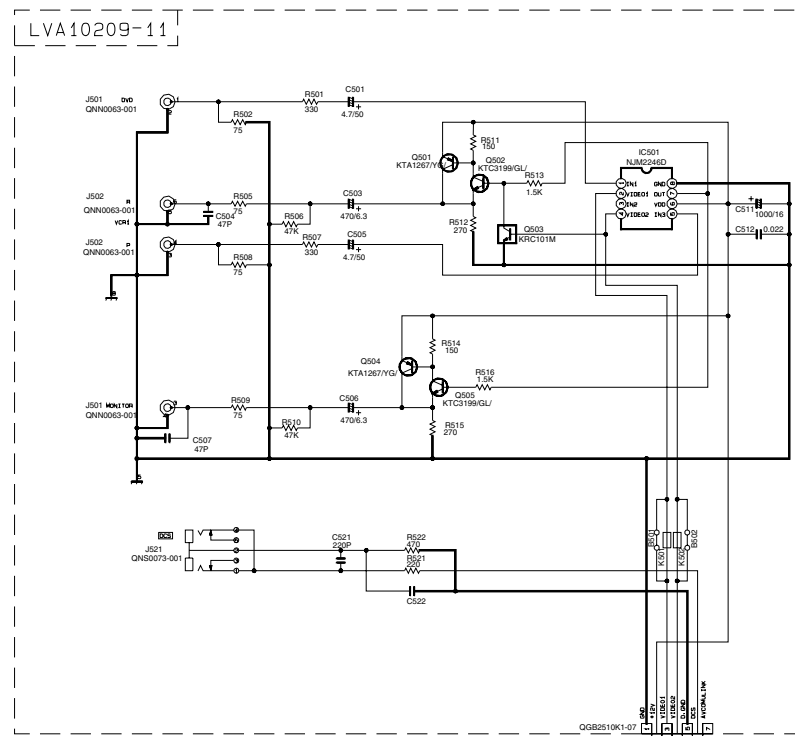


Sheet 4/8

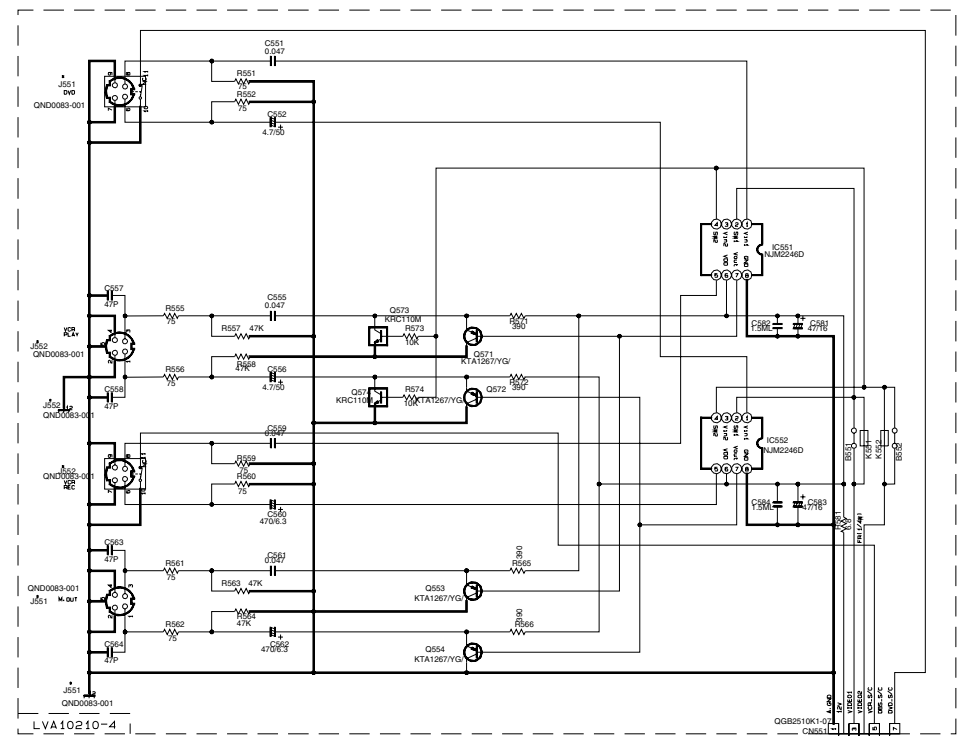
	RX-6010	RX-7010
J401	NONE	USE
J405	NONE	USE
J503	NONE	USE
J591	NONE	USE

	RX-6010	RX-7010
D	J/C/E/U	ALL-Ver.
J551	USE	NONE
J552	USE	NONE
J553	NONE	USE

AUDIO signal
 TUNER signal



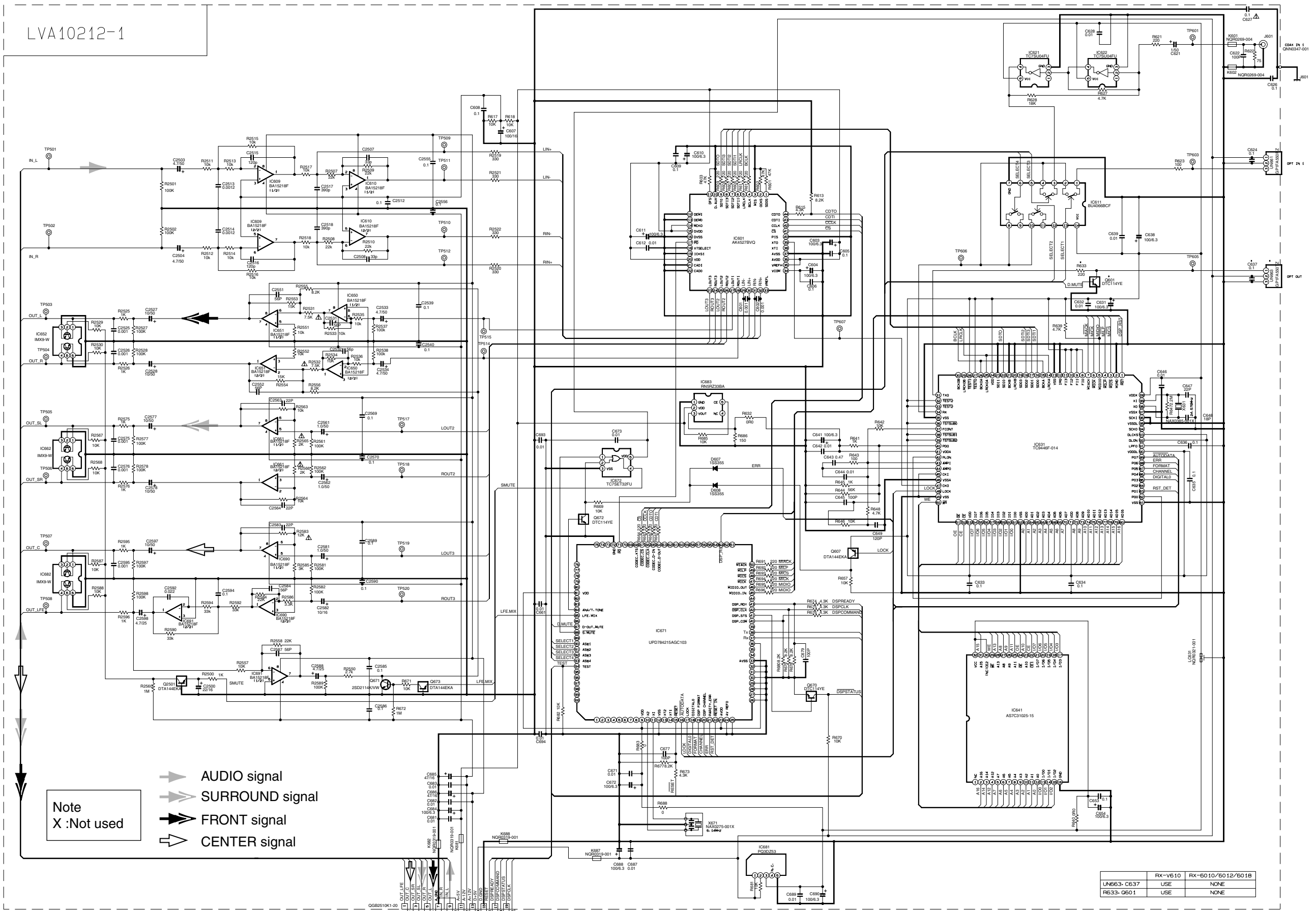
Sheet 4/8



Parts are safety assurance parts.
 When replacing those parts make sure to use the specified.

DSP section

LVA10212-1



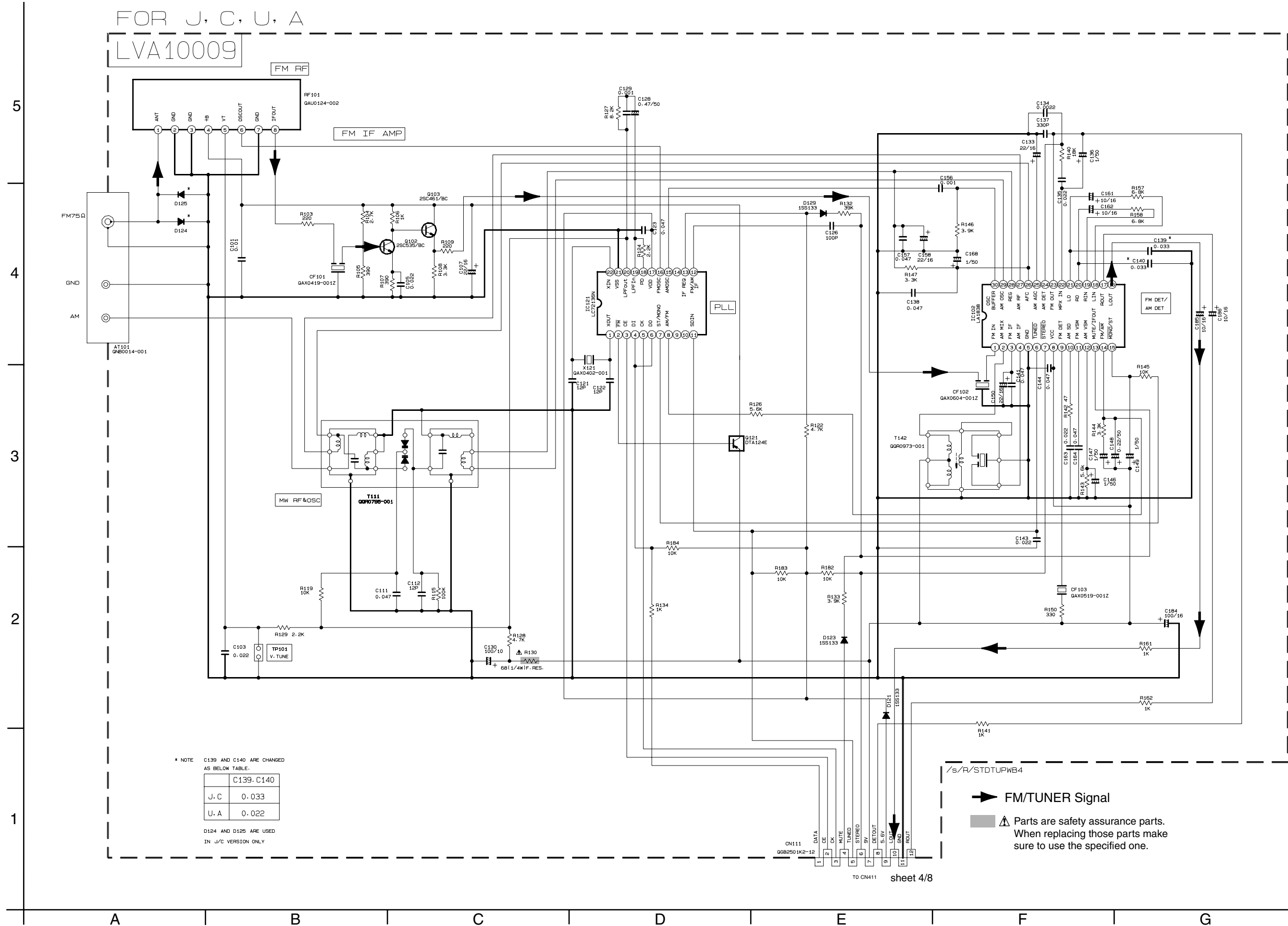
- ➔ AUDIO signal
- ➔ SURROUND signal
- ➔ FRONT signal
- ➔ CENTER signal

Note
X : Not used

	RX-V610	RX-6010/6012/6018
UN633-C637	USE	NONE
R633-0601	USE	NONE

■ Tuner section

FOR J, C, U, A
LVA10009



* NOTE C139 AND C140 ARE CHANGED AS BELOW TABLE.

	C139, C140
J, C	0.033
U, A	0.022

D124 AND D125 ARE USED IN J/C VERSION ONLY

/s/R/STDUPWB4

- ➔ FM/TUNER Signal
- ⚠ Parts are safety assurance parts. When replacing those parts make sure to use the specified one.

TO CN411
sheet 4/8

Printed circuit boards

■ Main board

5
4
3
2
1

